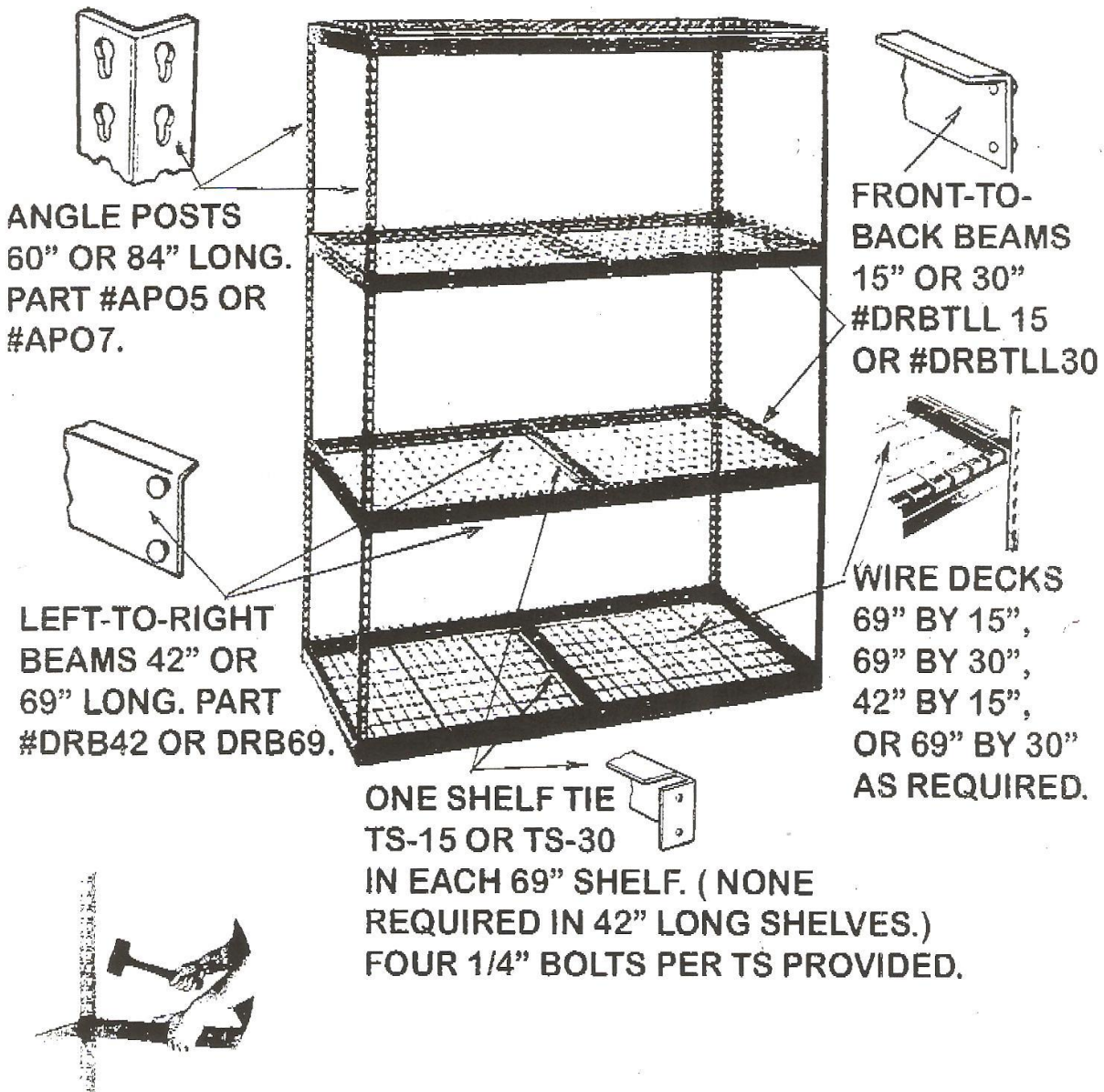


RIVET SHELVING ASSEMBLY INSTRUCTIONS

ARCHIVE UNITS



ANGLE POSTS
60" OR 84" LONG.
PART #APO5 OR
#APO7.

FRONT-TO-
BACK BEAMS
15" OR 30"
#DRBTLL 15
OR #DRBTLL30

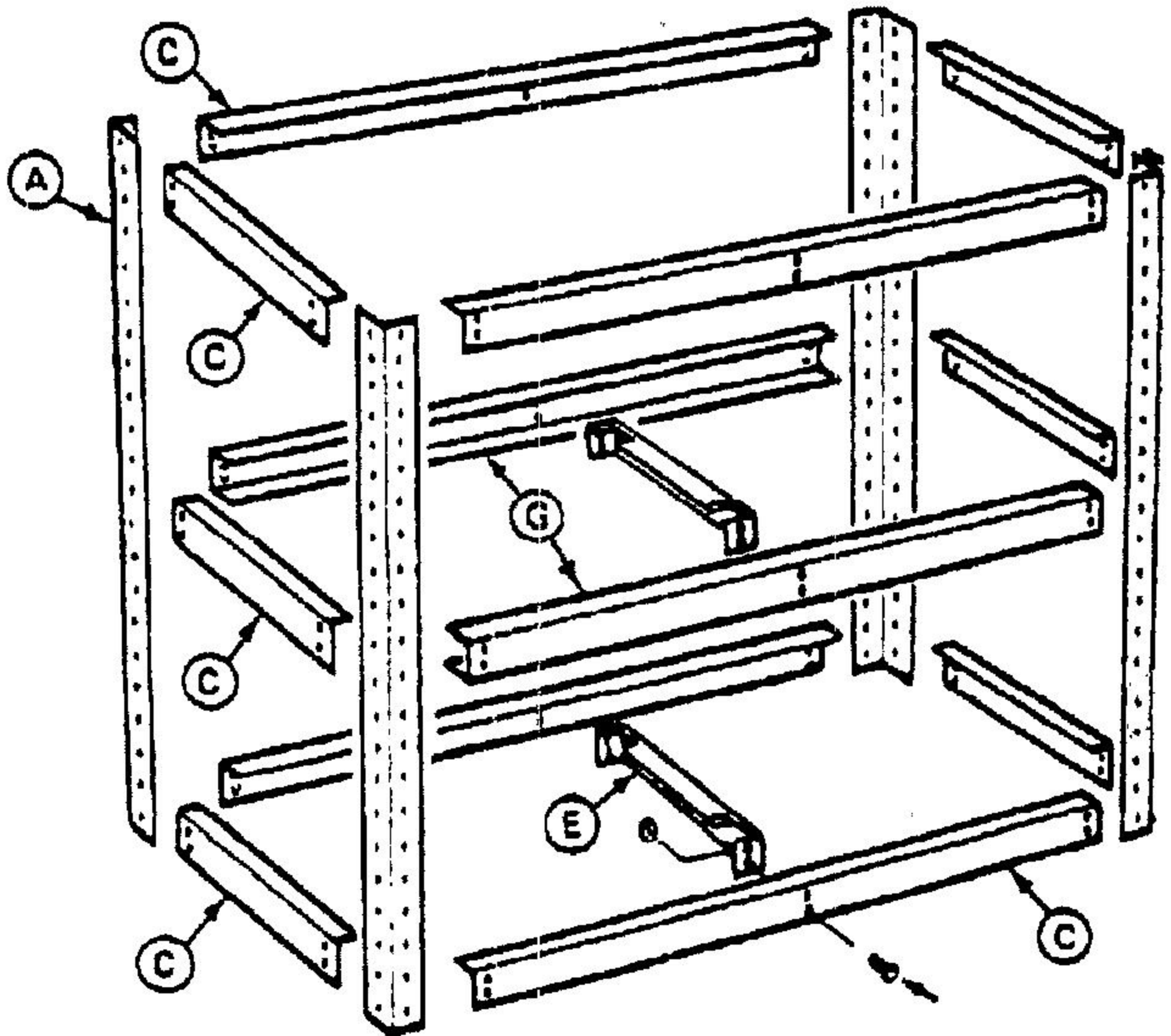
LEFT-TO-RIGHT
BEAMS 42" OR
69" LONG. PART
#DRB42 OR DRB69.

WIRE DECKS
69" BY 15",
69" BY 30",
42" BY 15",
OR 69" BY 30"
AS REQUIRED.

ONE SHELF TIE
TS-15 OR TS-30
IN EACH 69" SHELF. (NONE
REQUIRED IN 42" LONG SHELVES.)
FOUR 1/4" BOLTS PER TS PROVIDED.

THE TWO STUDS IN EACH END OF THE DOUBLE RIVET BEAMS ARE INSERTED IN THE SLOTTED HOLES IN THE POSTS. STRIKE THE BEAMS WITH A Mallet OR HAMMER. DRIVE THE BEAMS STUDS DOWN NEAR THE BOTTOM OF THE SLOTTED HOLES IN THE POSTS.

INSTALLATION INSTRUCTIONS FOR TYPICAL SECTIONS OF POWER RIVET SHELVING UNITS.

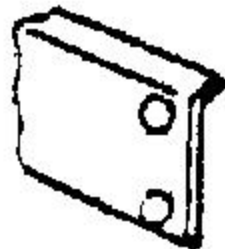


**ANGLE
POSTS**

(A)



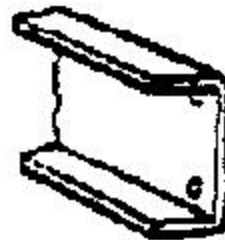
(C)



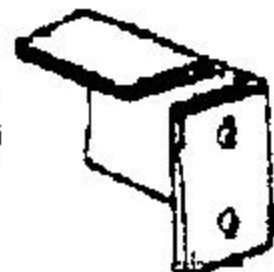
**DOUBLE
RIVET
BEAMS**

**OPTIONAL
CHANNEL
BEAMS**

(G)



(E)



**SHELF TIE
(REQUIRED
ON UNITS 60"
OR LONGER)**

(1/4" bolts
provided
for ties.)

THE TWO STUDS IN EACH END OF THE DOUBLE RIVET BEAMS ARE TO BE INSERTED IN THE SLOTTED HOLES IN THE POSTS. THE BEAMS SHOULD BE SEATED IN THE BOTTOM OF THE SLOTS WITH A MAILLET OR HAMMER.