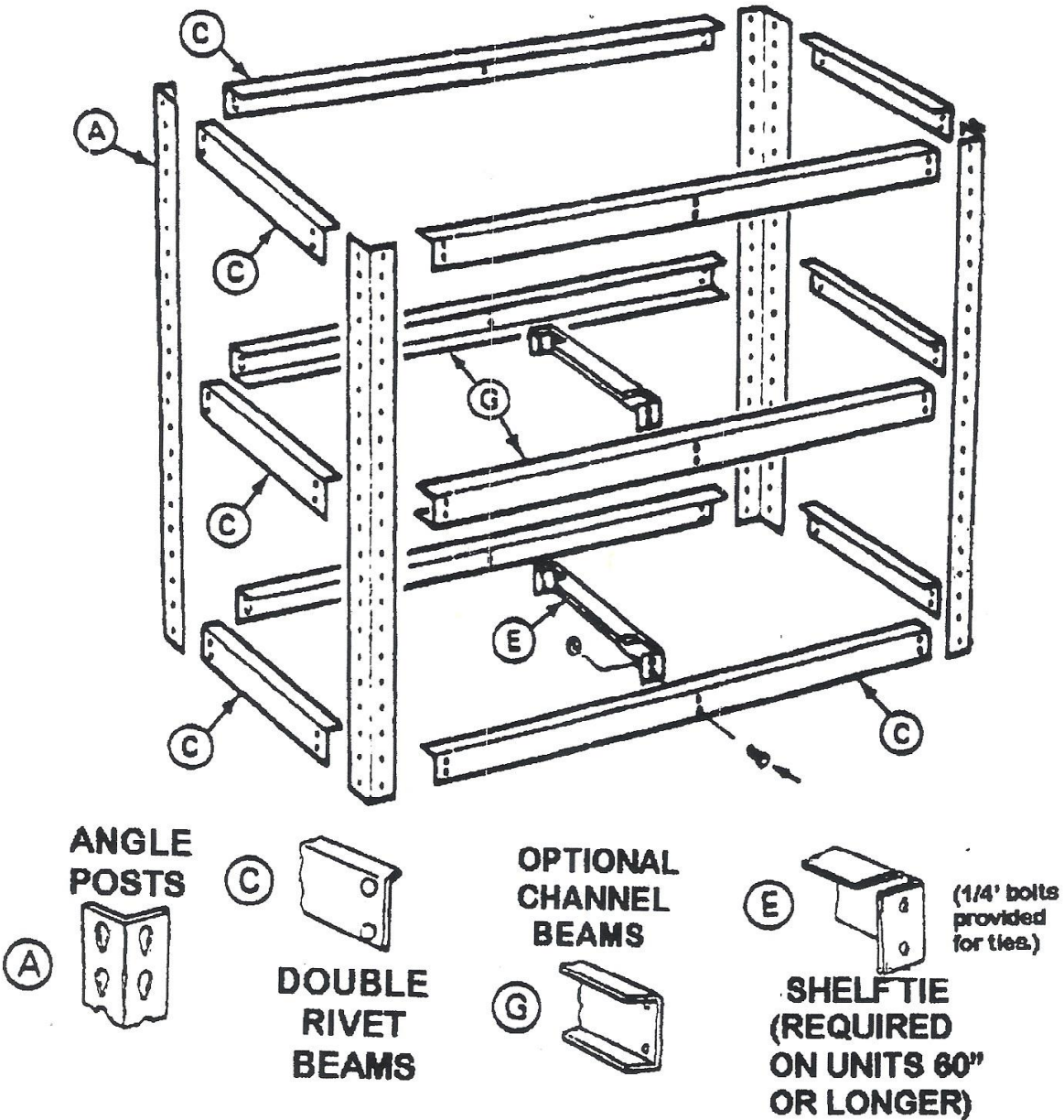


INSTALLATION INSTRUCTIONS FOR TYPICAL SECTIONS OF POWER RIVET SHELVING UNITS.



THE TWO STUDS IN EACH END OF THE DOUBLE RIVET BEAMS ARE TO BE INSERTED IN THE SLOTTED HOLES IN THE POSTS. THE BEAMS SHOULD BE SEATED IN THE BOTTOM OF THE SLOTS WITH A MALLET OR HAMMER.